



## 6 CU. FT. SANDWICH / SALAD PREP TABLE

## KCST27.8



**Fin & Tube Condenser** improves performance in high temperature environments

**Automatic Defrost Cooling System** provides worry-free performance

**1/5 HP Compressor**

**Stainless Steel Exterior & Interior**

**Electronic Control**

**Removable Door Gasket**

**Holds 1/6 & 1/9 Pans**

**Adjustable Shelves** Vinyl-Coated Steel

**Self-Closing Door** with 90-degree stay-open feature

**Heavy Duty Casters**

**Insulated Lid** helps maintain food freshness



### TECHNICAL SPECIFICATIONS

MODEL	KCST27.8
Product Line	Sandwich/Salad Prep Table
Capacity (Cu. Ft.)	6.0
Condenser Type	Fin & Tube
Automatic Defrost Cooling System	Yes
Compressor Horsepower	1/5
Exterior Finish	Stainless Steel (430)
Interior Finish	Stainless Steel (304)
Cutting Board Dimensions (HxWxD)	.79x27.40x10.50
Pan Allocation	(6)1/6 & (2)1/9
Shelves (Number/Type)	1/Vinyl-Coated Steel
Control	Electronic
Temperature Range	32 to 50°F
Voltage Rating	115V/60Hz
Run Amps	5.3
Plug Type	NEMA 5-15P
Shipping Weight (Lbs.)	220
Warranty	3 Year/5 Year



#### Electronic Digital Temperature Control

Quick set digital control and display for easy monitoring.



#### Stainless Steel Interior

Durable and easy to clean for daily commercial use.



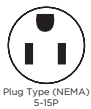
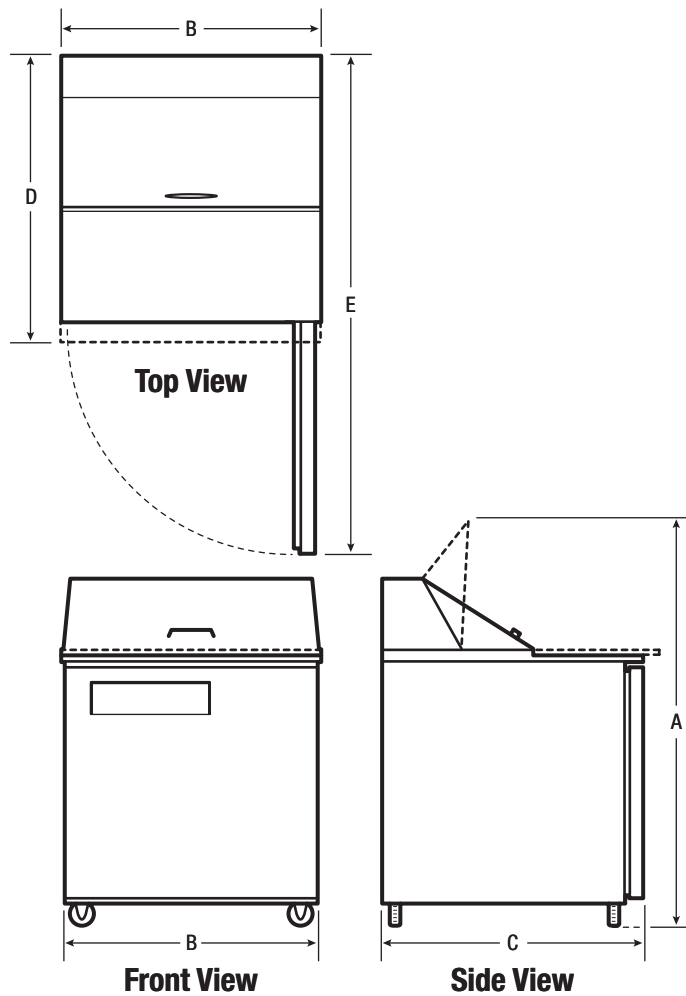
#### Full-Depth Cutting Boards

Preparation area designed for work station convenience and safe food handling.



# 6 CU. FT. SANDWICH / SALAD PREP TABLE

KCST27.8



## EXTERIOR DIMENSIONS

Height with Lid Open (w/ Casters) <b>A</b>	47-1/2"
Width <b>B</b>	27-1/2"
Depth (Including Door&Handle) <b>C</b>	29"
Overall Depth (Including Cutting Board) <b>D</b>	30-5/8"
Depth (with Door 90° Open) <b>E</b>	55"

## CERTIFICATIONS AND APPROVALS

Safety Certification	ETL
Sanitation Certification	ETL

## POPULAR PARTS

Shelf	5304493398
Shelf Clip	297121900
Pan Divider End	5304493387
Cutting Board	5304493364
Pan Divider Middle	5304493390



USA • 10200 David Taylor Drive • Charlotte, NC 28262 • 1-866-738-1640 • [kelvinator.com](http://kelvinator.com)  
 CANADA • 5855 Terry Fox Way • Mississauga, ON L5V 3E4

KCST27.8 11/15

© 2015 Electrolux Home Products, Inc.

High standards of quality at Electrolux Home Products, Inc. mean we are constantly working to improve our products. We reserve the right to change specifications or discontinue models without notice.