



24 CU. FT. GLASS DOOR MERCHANDISER

KCGM24FB

FREEZER



Fin & Tube Condenser improves performance in high temperature environments

Automatic Defrost Cooling System provides worry-free performance

1 HP Compressor

Painted Steel / Painted Aluminum Exterior & Interior

Electronic Controls

External Temperature Display

Removable Door Gasket

Adjustable Shelves Vinyl-Coated Steel

Self-Closing Swing Door

Heavy-Duty Casters Included

LED Lighting Inside Cabinet

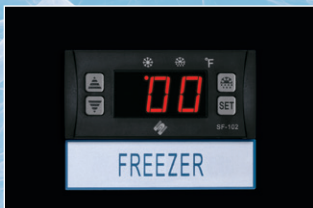


TECHNICAL SPECIFICATIONS

MODEL	KCGM24FB
Product Line	Freezer
Door(s)/Type	1 Door Swing
Capacity (Cu. Ft.)	24.0
Condenser Type	Fin & Tube
Automatic Defrost Cooling System	Yes
Compressor Horsepower	1
Exterior Finish	Painted Steel
Interior Finish	Painted Aluminum
Shelves (Number/Type)	4/Vinyl-Coated Steel
Control	Electronic
Temperature Display Location	External
Temperature Range	-7 to 10°F
Voltage Rating	115V/60Hz
Run Amps	9.6
Plug Type	NEMA 5-20P
Shipping Weight (Lbs.)	407
Warranty	3 Year/5 Year

Electronic Digital Temperature Display

Quick set digital display for easy monitoring.



Vinyl Heavy Duty Adjustable Shelves

Shelves that are easy to handle and keep clean.



Removable Door Gasket

User replaceable door gasket for easy replacement and cleaning.

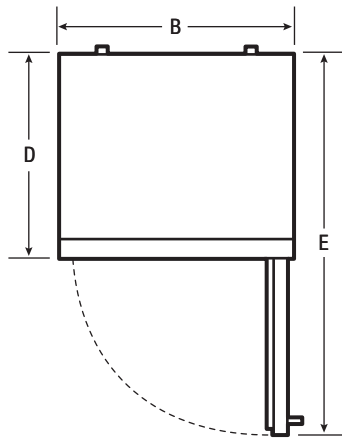




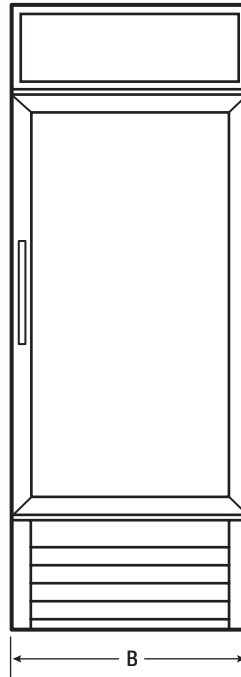
24 CU. FT. GLASS DOOR MERCHANDISER

KCGM24FB

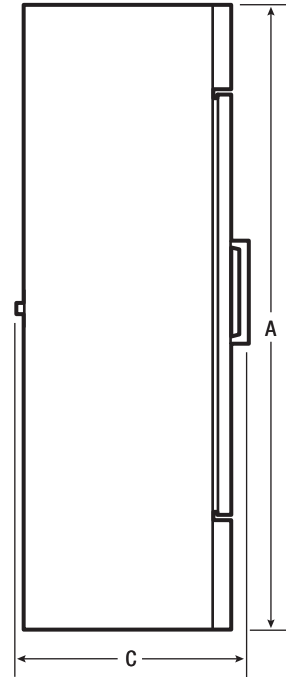
FREEZER



Top View



Front View



Side View



Plug Type (NEMA)
5-20P

EXTERIOR DIMENSIONS

Height A (Including Casters)	87"
Width B	31"
Overall Depth (Including Door&Handle) C	32"
Cabinet Depth D	30"
Depth (with Door 90° Open) E	62"

POPULAR PARTS

Shelf	5304493131
Shelf Clip	297121900

CERTIFICATIONS AND APPROVALS

Safety Certification	ETL
Sanitation Certification	ETL



USA • 10200 David Taylor Drive • Charlotte, NC 28262 • 1-866-738-1640 • kelvinator.com
CANADA • 5855 Terry Fox Way • Mississauga, ON L5V 3E4

KCGM24F 11/15

© 2015 Electrolux Home Products, Inc.

High standards of quality at Electrolux Home Products, Inc. mean we are constantly working to improve our products. We reserve the right to change specifications or discontinue models without notice.