



# BEVERAGE-AIR

3779 Champion Blvd., Winston-Salem, NC 27105  
1-888-845-9800 Fax# 1-336-245-6453  
<http://www.Beverage-Air.com>

## Commercial Refrigeration Equipment General Specification

### 18 Month Parts/Labor Warranty—5 Year Compressor

#### CABINET CONSTRUCTION

- Exterior—Stainless steel exterior front and gray painted sides standard (Additional exterior finish options available—see right).
- Interior—Aluminum interior with covered corners standard.
- Insulation—2" foamed-in-place CFC and HCFC-free polyurethane insulation.

#### ELECTRONIC CONTROL

- Electronic thermostat with manual defrost button provides a digital display of cabinet temperatures, which includes status indicators and key pad for any necessary temperature adjustments.

#### REFRIGERATION SYSTEM

- Top mount balanced refrigeration system with evaporator positioned out of the food zone to maximize capacity.
- Automatic evaporation system for energy efficiency.
- Unique down draft airflow system ensures uniform distribution of airflow throughout the entire cabinet to ensure even product temperatures; maintains product temperatures at or near -10°F.
- Factory engineered, self-contained refrigeration system uses environmentally friendly (CFC and HCFC-free) R404A refrigerant.
- Automatic defrost system is fully automatic, time-initiated and temperature terminated operation.

#### DOORS

- Choose from solid door or half-solid door configuration.
- Anti-microbial door handles and door locks are standard.
- Field reversible doors and cam lift hinges standard. Positive seal self-closing door(s) with 120° stay open feature.
- Plug-in magnetic door gaskets of one piece construction, removable without tools for ease of cleaning.

#### SHELVING

- Three (3) heavy duty epoxy coated wire shelves per section standard. Four (4) shelf clips included per shelf (field installed).
- Shelves are adjustable in ½" increments. Four (4) interior pan slide kits available for field installation (see catalog).

#### MODEL FEATURES

- Incandescent interior light.
- 6" heavy-duty casters included, two with brakes. HFPS Spec Series standard with 6" legs.
- Cord and plug pre-wired – 115/60/1 phase.  
**Freezers powered by 115/208-230 volts are designed for field wiring (requires 4-wire electrical circuit, hard-wired).**
- Epoxy coated evaporator to eliminate the potential of corrosion.
- ENERGY STAR® Qualified - See applicable model list at right.
- UL-EPH and CUL for open food product.

Item No. \_\_\_\_\_  
Quantity \_\_\_\_\_

## TOP MOUNTED REACH-IN FREEZERS HORIZON SERIES SOLID & HALF-SOLID DOORS

**MODELS:**  
HF  
HFP  
HFS  
HFPS

### 1 Great Design, 4 Finish Options:

- **HF Standard Series:** S/S front, gray painted sides, aluminum interior
- **HFP Series:** S/S front, S/S sides, aluminum interior
- **HFS Series:** S/S front, gray painted sides, s/s interior
- **HFPS Spec Series:** Complete S/S exterior and interior



HF1/HFP1/  
HFS1/HFPS1-1S



HF1/HFP1/  
HFS1/HFPS1-1HS



HF1W/HFP1W/  
HFS1W/HFPS1W-1S



HF2/HFP2/  
HFS2/HFPS2-1S



HF2/HFP2/  
HFS2/HFPS2-1HS



HF3/HFP3/  
HFS3/HFPS3-5S



HF3/HFP3/  
HFS3/HFPS3-5HS

#### ENERGY STAR® Qualified Models:

**Solid Door Freezers:** HF1-1S, HF1W-1S, HF2-1S, HF3-5S, HFS1-1S, HFS1W-1S, HFS2-1S, HFS3-5S, HFP1-1S, HFP1W-1S, HFP2-1S, HFP3-5S, HFPS1-1S, HFPS1W-1S, HFPS2-1S, HFPS3-5S

**Half-Solid Door Freezers:** HF1-1HS, HF2-1HS, HFS1-1HS, HFS2-1HS, HFP1-1HS, HFP2-1HS, HFPS1-1HS, HFPS2-1HS



\*Note: Not all markings may apply to all model variations.

Available From:

Model Specified \_\_\_\_\_

Store# \_\_\_\_\_

Location \_\_\_\_\_

Quantity \_\_\_\_\_



# BEVERAGE-AIR

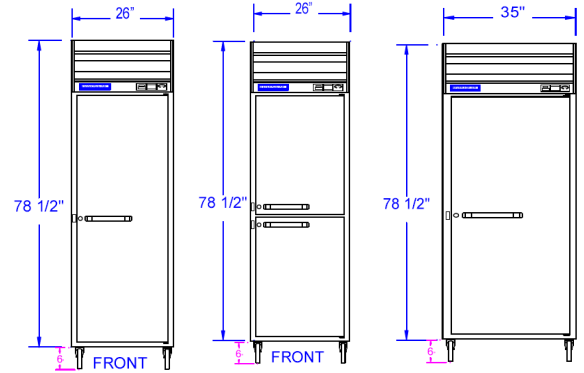
## Top Mount, Horizon Series Freezers

Models: HF, HFP, HFS, HFPS

(-S) Solid Door Models, (-HS) Half-Solid Door Models

## PLAN VIEWS

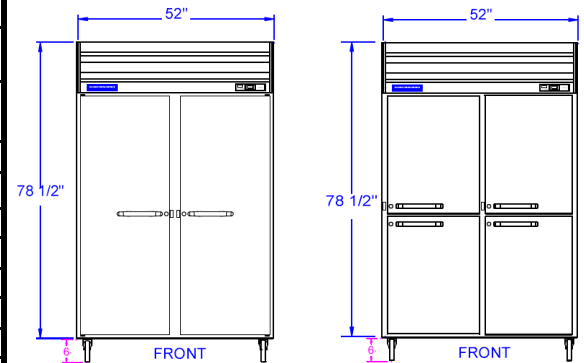
| DOOR TYPE        | HF STANDARD<br>S/S Front,<br>Gray Painted Sides,<br>Aluminum Interior | HFP<br>S/S Front,<br>S/S Sides,<br>Aluminum Interior | HFS<br>S/S Front,<br>Gray Painted Sides,<br>S/S Interior | HFPS<br>Complete Stainless<br>Exterior and Interior | DOORS &<br>SHELVES  |
|------------------|---|--|--|---|---------------------|
| SOLID (-S)       | HF1-1S  | HFP1-1S  | HFS1-1S  | HFPS1-1S  | 1 Door & 3 Shelves  |
|                  | HF1W-1S   | HFP1W-1S   | HFS1W-1S   | HFPS1W-1S   | 1 Door & 3 Shelves  |
|                  | HF2-1S  | HFP2-1S  | HFS2-1S  | HFPS2-1S  | 2 Doors & 6 Shelves |
|                  | HF3-5S  | HFP3-5S  | HFS3-5S  | HFPS3-5S  | 3 Doors & 9 Shelves |
| HALF-SOLID (-HS) | HF1-1HS   | HFP1-1HS   | HFS1-1HS   | HFPS1-1HS   | 2 Doors & 3 Shelves |
|                  | HF2-1HS   | HFP2-1HS   | HFS2-1HS   | HFPS2-1HS   | 4 Doors & 6 Shelves |
|                  | HF3-5HS   | HFP3-5HS   | HFS3-5HS   | HFPS3-5HS   | 6 Doors & 9 Shelves |



## COMMON FEATURES

| MODEL   | HF1/HFP1/<br>HFS1/HFPS1<br>1 Section<br><i>Solid/Half Solid</i> | HF1W/HFP1W/<br>HFS1W/HFPS1W-1S<br>1 Section<br><i>Solid</i> | HF2/HFP2/<br>HFS2/HFPS2<br>2 Section<br><i>Solid/Half Solid</i> | HF3/HFP3/<br>HFS3/HFPS3<br>3 Section<br><i>Solid/Half Solid</i> |
|---|---|---|---|---|
| <b>EXTERNAL DIMENSIONAL DATA</b>                                      |   |   |   |   |
| Length Overall (inches) / (mm)  | 26" / 660   | 35" / 889   | 52" / 1321  | 78" / 1981  |
| Depth Overall (inches) / (mm)<br><i>Add 1 3/4" for handle</i>         | 32" / 813   | 32" / 813   | 32" / 813   | 32" / 813   |
| Height Overall— (inches) / (mm)*<br><i>Add 6" for legs or casters</i> | 78 1/2" / 1994  | 78 1/2" / 1994  | 78 1/2" / 1994  | 78 1/2" / 1994  |
| Depth with Door Open 90 °   | 54"   | 54"   | 54"   | 54"   |
| <b>INTERNAL DIMENSIONAL DATA</b>                                      |   |   |   |   |
| NET Capacity (cubic ft.) / (Liters)                                   | 24 / 680  | 34 / 963  | 49 / 1388   | 74 / 2096   |
| Internal Length Overall (inches) / (mm)                               | 22" / 559   | 31" / 787   | 48" / 1219  | 73 1/2" / 1867  |
| Internal Depth Overall (inches) / (mm)                                | 28" / 711   | 28" / 711   | 28" / 711   | 28" / 711   |
| Height Overall— (inches) / (mm)                                       | 60" / 1524  | 60" / 1524  | 60" / 1524  | 60" / 1524  |
| <b>ELECTRICAL DATA</b>  |   |   |   |   |
| Full Load Amperes 115/60/1  | 7.1   | 7.8   | 12.0  | *208-230 / 8.4A   |
| <b>REFRIGERATION DATA</b>   |   |   |   |   |
| Horsepower  | 1/2   | 1/2   | 3/4   | 1   |
| <b>WEIGHT DATA</b>  |   |   |   |   |
| Gross Weight (Crated lbs)   | 340   | 406   | 532/550   | 873   |
| Gross Weight (Crated kg)  | 154   | 184   | 241/250   | 396   |

HF1/HFP1/  
HFS1/HFPS1-1S      HF1/HFP1/  
HFS1/HFPS1-1HS      HF1W/HFP1W/  
HFS1W/HFPS1W-1S



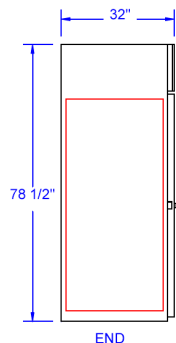
HF2/HFP2/  
HFS2/HFPS2-1S

HF2/HFP2/  
HFS2/HFPS2-1HS

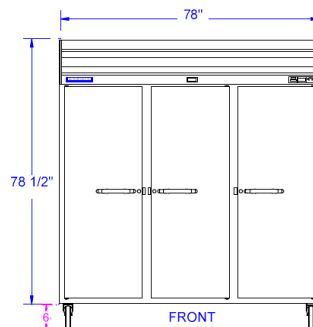
For total depth add 1 3/4" for handle. For total height add 3" (casters only) or 6" (casters/legs.)

\*Note: Some refrigeration components may protrude beyond cabinet height by up to 1 1/2" - in some models.

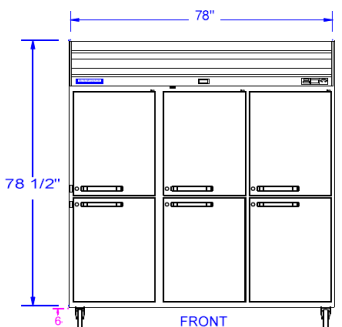
\*Note: Freezers powered by 115/208-230 volts are designed for field wiring (requires 4-wire electrical circuit, hard-wired).



COMMON END



HF3/HFP3/  
HFS3/HFPS3-5S



HF3/HFP3/  
HFS3/HFPS3-5HS

## BEVERAGE-AIR® CORPORATION

3779 Champion Blvd. • Winston-Salem, NC 27105 USA • (336) 245-6400 • Fax (336) 245-6453 • (888) 845-9800 • www.beverage-air.com

Specifications are subject to change without prior notice. 10/11