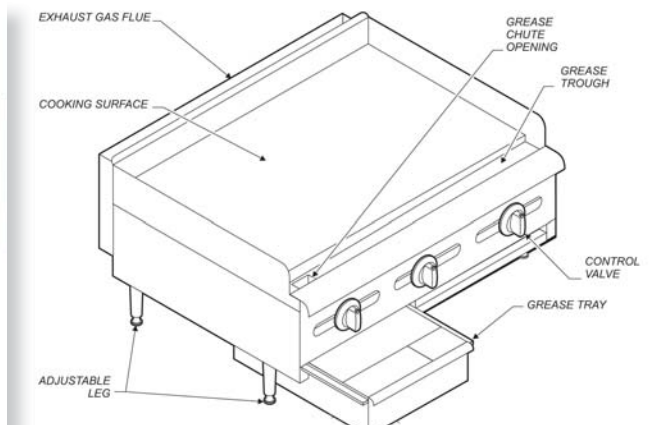


GAS COUNTERTOP HEAVY DUTY THERMOSTATIC CONTROL GRIDDLES HDTG2430G, HDTG3630G & HDTG4830G



(HDTG3630G Shown)



Wells Gas Countertop Heavy Duty Griddles

are designed for use with either natural or LP gas. Griddles are factory configured for natural gas and are field convertible to LP gas.

Features

- 300 series stainless steel housing with removable front panel to provide easy access to components.
- Griddle surface is a 3/4" thick, steel plate for even heat distribution, ideal for commercial kitchens.
- Removable, large capacity stainless steel drip drawer provides easy clean-up.
- Each burner has an adjustable air shutter to control primary air and provide optimum combustion.
- Each burner has ON/OFF control valves that provide infinite heat adjustment.
- Heavy duty 4" steel legs.
- Meets ANSI Z83 and NSF International standards.
- One year warranty covers parts and labor.

Specifications

Overall Dimensions	Inches	MM
All Models:		
Depth	31 11/16	804
Height (incl. 4" legs)	17	433
Width:		
HDTG2430G	24 1/8	613
HDTG3630G	36 1/8	917
HDTG4830G	48 1/8	1222
Number of burners:	2, 3, or 4	
Weights		
HDTG2430G Installed	199	90
Shipping	249	113
HDTG3630G Installed	287	130
Shipping	396	180
HDTG4830G Installed	393	178
Shipping	507	230

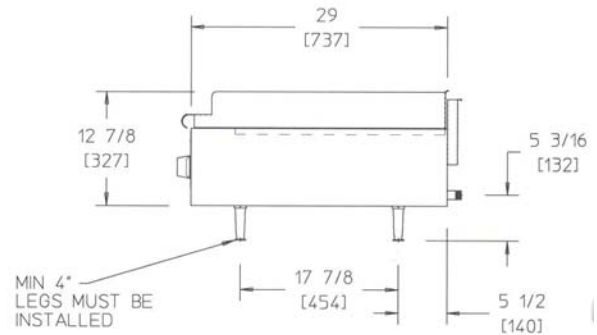
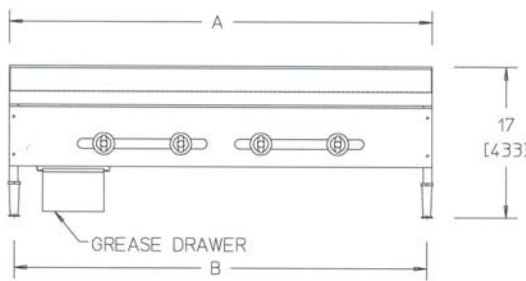
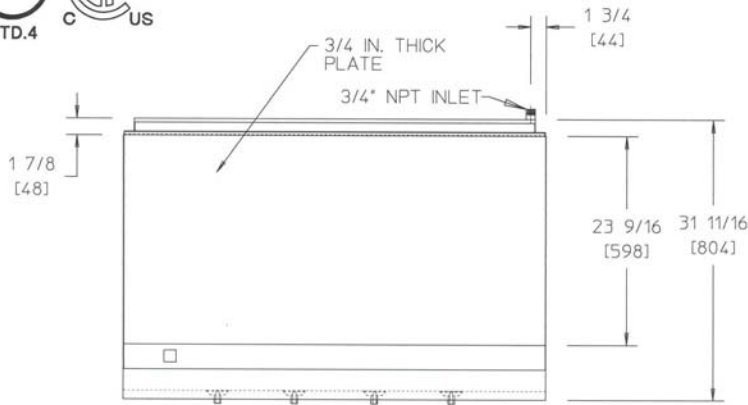
Accessories/Options

20563 Legs, set of 4, 4" adjustable nickel plated alloy





GAS COUNTERTOP HEAVY DUTY THERMOSTATIC CONTROL GRIDDLES HDTG2430G, HDTG3630G & HDTG4830G



DIMENSIONS: INCH [MM]

Model Number	Part Number	Description	Size W x D x H (in)	Ship Weight	Cubic Feet
		Thermostatic Control			
HDTG2430G	23250	Cooking Surface 23 3/4"W x 23 3/4"D Natural Gas, 60,000 BTU/hour, 2 burners	24-1/8 x 33-1/4 x 17	249	12.85
HDTG3630G	23251	Cooking Surface 35 3/4"W x 23 3/4"D Natural Gas, 90,000 BTU/hour, 3 burners	36-1/8 x 33-1/4 x 17	397	17.99
HDTG4830G	23252	Cooking Surface 47 3/4"W x 23 3/4"D Natural Gas, 120,000 BTU/hour, 4 burners	35-3/4 x 33-1/4 x 17	507	22.70

All units are field convertible to LP gas - NOT INCLUDED



Wells Bloomfield • 10 Sunnen Dr. St. Louis, MO 63143 U.S.A.

Phone: (888) 356-5362 • Fax (800) 264-6666 • Canada & Export Phone : (314) 781-2777 • Canada & Export Fax (314) 781-3636

www.wellsbloomfield.com © 2011 Wells Bloomfield• Printed in the U.S.A.

Due to periodic changes in designs, methods, procedures, policies and regulations, the specifications contained in this sheet are subject to change without notice. While Wells exercises good faith efforts to provide information that is accurate, we are not responsible for errors or omissions in information provided or conclusions reached as a result of using the specifications. By using the information provided, the user assumes all risks in connection with such use.