



Simply Engineered Better

351HT

Undercounter High Temperature
Overflow Type Dishwashing Machine
with Built-in Booster Heater



SPECIFIER STATEMENT

Specified unit will be Moyer Diebel 351HT undercounter high temperature dishwashing machine with built-in booster.

Features include 14-1/2vcaps for easy cleaning.

1 year parts and labor warranty.



351HT UNDERCOUNTER

Project _____

Item No. _____

Quantity _____

STANDARD FEATURES

- **ENERGY STAR® Qualified**
- **Extra low water consumption .85 gallons per cycle**
- 120-second cycle time, 30 racks per hour capacity*
- Thermostatically controlled wash tank heater maintains water at the required temperature
- Soft start, protects dishes and glasses from chipping or breakage
- Rinse Sentry ensures 180°F final rinse
- Pumped drain permits use of drain connection up to 6' of which 3' can go vertical
- Stainless steel top and side panels standard
- Top-mounted detergent and rinse aid prime switches
- Counter balanced door minimizes wear and tear on door supports
- Clog-resistant filtering system
- Built-in detergent and rinse-aid pumps
- Overflow machine operation
- 14-1/2" clearance for wares
- Energy efficient, only 30 amp breaker required for 40°F rise
- Available in 70°F rise booster
- Complete with two 20" x 20" racks, one peg and one flat
- One year parts and labor warranty

* Excludes 20 second NSF load/unload time

OPTIONS & ACCESSORIES

- | | |
|---|-------------|
| <input type="checkbox"/> 70°F rise booster | |
| <input type="checkbox"/> CST- Combination sink/table Machine on right | P/N 403561 |
| <input type="checkbox"/> CST- Combination sink/table Machine on left | P/N 403562 |
| <input type="checkbox"/> Flat bottom dishrack | P/N 101273 |
| <input type="checkbox"/> Peg dishrack | P/N 101285 |
| <input type="checkbox"/> 6" Stand | P/N 0712393 |
| <input type="checkbox"/> 17RS – 17" Stand | P/N 0708757 |
| <input type="checkbox"/> 1" roller caster | P/N |
| <input type="checkbox"/> Quick disconnect package | P/N |
| <input type="checkbox"/> International model | P/N |

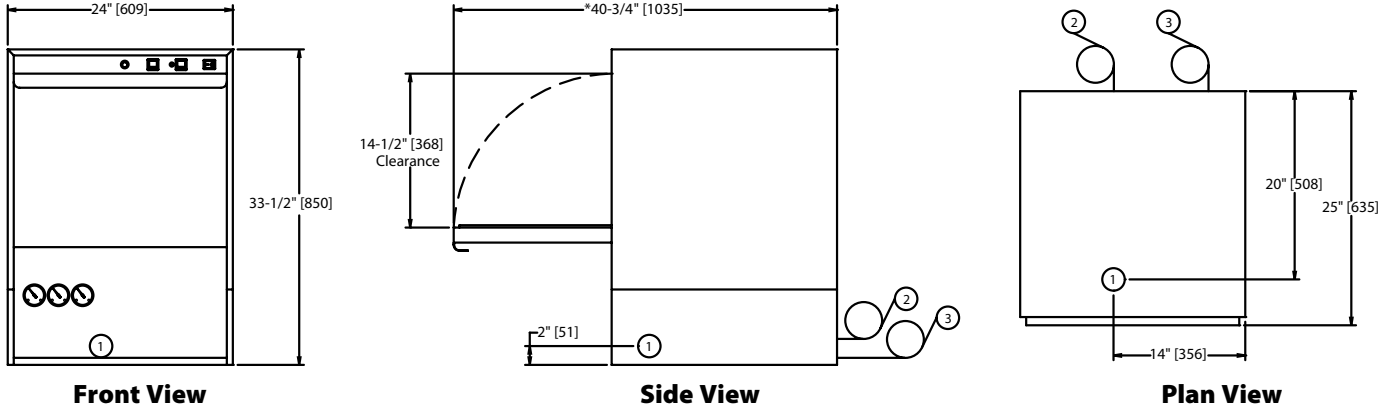


Simply Engineered Better

351HT

Undercounter High Temperature
Overflow Type Dishwashing Machine
with Built-in Booster Heater

Dimensions shown in inches and [millimeters]



*Note: Allow additional 3" clearance from wall.

Utilities	
1 Electrical	208-240/60/1; 3 wire + ground; hard wiring required (see boxes below)
2 Hot Water	140°F Min., connection for 40°F rise booster. 110°F Min., connection for 70°F rise booster. 5 ft. long 1/2" I.D. flexible fill hose with 3/4" FNPT connection. Flow pressure: 18-22 psi (124-152 kPa), PRV supplied
3 Drain Connection	6 ft. long, 3/4" I.D. flexible hose. Max. drain flow: 8 US gpm

351HT with 40°F Rise Electric Booster

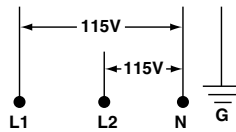
351HT with 70°F Rise Electric Booster

Elec. Specs	Rated Amps	Minimum Supply Circuit Ampacity	Maximum Overcurrent Protective Device
208/60/1	22	30	30
230/60/1	24	30	30

Elec. Specs	Rated Amps	Minimum Supply Circuit Ampacity	Maximum Overcurrent Protective Device
208/60/1	29	40	40
230/60/1	31	40	40

	Uncrated	Crated
Height	33-1/2"	39-1/2"
Width	24"	25"
Depth	25"	25-1/2"
Ship Wt. lbs	148	165

* Front leveling feet provided.



*Note: Electrical supply service must be a 3-wire plus ground for connection as shown.

SPECIFICATIONS

Capacity	*NSF Racks per hr.	30
Motor Horsepower	Wash	1
Water Consumption	Gal. per hr. (max. use)	20.4
	US gal.	0.85
	Gal. per rack	
	US gal.	
Temperatures °F	Wash (minimum)	150
	Rinse (minimum)	180
Heating	Tank heat, electric (kW)	2
	Electric booster	
	(kW required for 40°F rise)	4
	(kW required for 70°F rise)	6
Time Cycle in Seconds	Wash	100
	Rinse	15
	Dwell	5
	Total	120

* Excludes 20 second NSF load/unload time

Warning: Plumbing and electrical connections should be made by qualified personnel who will observe all the applicable plumbing, sanitary and safety codes.