



BEVERAGE-AIR

3779 Champion Blvd., Winston-Salem, NC 27105
1-888-845-9800 Fax# 1-336-245-6453
<http://www.Beverage-Air.com>

Item No. _____
Quantity _____

Commercial Refrigeration Equipment General Specification

CABINET CONSTRUCTION

- Exterior—Stainless steel exterior.
- Interior—Stainless steel interior.
- Insulation—2" foamed-in-place CFC and HCFC-free polyurethane insulation.

DIGITAL THERMOMETER

- Exterior digital thermometer provides a digital display of cabinet temperatures.

REFRIGERATION SYSTEM

- Top mount, environmentally friendly refrigeration system maintains product temperatures of 36 - 38°F.
- Factory engineered, self-contained refrigeration system uses environmentally friendly (CFC and HCFC-free) R134A refrigerant.

DOORS

- Choose from solid door or half-solid door configuration.
- Anti-microbial door handles and door locks are standard.
- Field reversible doors and cam lift hinges standard. Positive seal self-closing door(s) with 120° stay open feature.
- Snap-in door gaskets of one piece construction, removable without tools for ease of cleaning.

SHELVING

- Three (3) heavy duty epoxy coated wire shelves per section standard. Four (4) shelf clips included per shelf (field installed).
- Shelves are adjustable in 1/2" increments. Four (4) interior pan slide kits available for field installation (see catalog).

MODEL FEATURES

- Incandescent interior lighting.
- 6" heavy-duty legs included. 3" or 6" casters are optional.
- Cord and plug pre-wired – 115/60/1 phase.
- UL-EPH and CUL for open food product.

TOP MOUNTED PASS-THRU REFRIGERATORS PRD SERIES SOLID AND HALF-SOLID DOORS

MODELS:
PRD1-1AS
PRD2-1AS
PRD3-1AS

PRD1-1AHS
PRD2-1AHS
PRD3-1AHS



PRD1-1AS



PRD3-1AHS

Available From:



*Note: Not all markings may apply to all model variations.

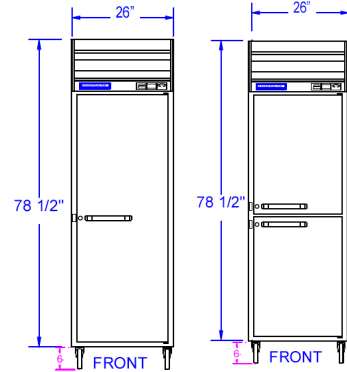
Model Specified _____	Store# _____
Location _____	Quantity _____



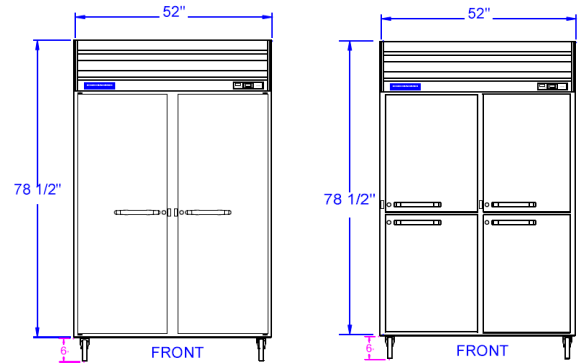
Top Mount, Pass-Thru Refrigerators
Models: PRD1, PRD2, PRD3
(-S) Solid Door Models, (-HS) Half-Solid Door Models

MODEL	PRD1-1AS PRD1-1AHS	PRD2-1AS PRD2-1AHS	PRD3-1AS PRD3-1AHS
EXTERNAL DIMENSIONAL DATA			
Length Overall (inches)	26"	52"	78"
Length Overall (mm)	660	1321	1981
Depth Overall—(inches) less handle	34"	34"	34"
Depth Overall—(mm) less handle	864	864	864
Height Overall—(inches) less casters	78 1/2"	78 1/2"	78 1/2"
Height Overall—(mm) less casters	1994	1994	1994
Number of doors	2 4	4 8	6 12
INTERNAL DIMENSIONAL DATA			
NET Capacity (cubic ft.)	24	49.7	78.7
NET Capacity (Liters)	680	1407	2229
Number of shelves	3	6	9
ELECTRICAL DATA			
Full Load Amperes 115/60/1	5.7	9.4	10.6
REFRIGERATION DATA			
Horsepower	1/4	1/3	1/2
WEIGHT DATA			
Gross Weight (Crated lbs)	395	660	912
Gross Weight (Crated kg)	179	299	414

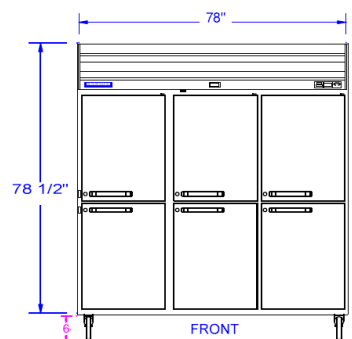
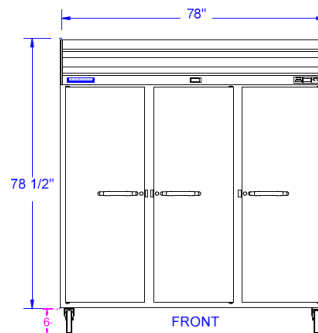
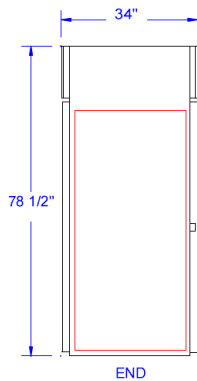
PLAN VIEWS



**PRD1-1AS
PRD1-1AHS**



**PRD2-1AS
PRD2-1AHS**



**PRD3-1AS
PRD3-1AHS**



*Note: Not all markings may apply to all model variations.

ELECTRICAL CONNECTION
 Units pre-wired at factory and include 8' long cord and plug set.



BEVERAGE-AIR® CORPORATION

3779 Champion Blvd. • Winston-Salem, NC 27105 USA • (336) 245-6400 • Fax (336) 245-6453 • (888) 845-9800 • www.beverage-air.com

Specifications are subject to change without prior notice. 06/10