



Simply Engineered Better

# 351HT

Undercounter High Temperature  
Overflow Type Dishwashing Machine  
with Built-in Booster Heater



**NEW!**

## SPECIFIER STATEMENT

Specified unit will be Moyer Diebel 351HT undercounter high temperature dishwashing machine with built-in booster.

Features include 14-1/2" door opening clearance, standard liquid detergent & rinse-aid dispensing pumps, top and side panels.

Unit will have standard pumped drain, rinse-sentry feature to ensure proper 180°F final rinse temperature and stainless steel rinse arms with removable end caps for easy cleaning.

1 yr. parts and labor warranty.



Project \_\_\_\_\_  
 Item No. \_\_\_\_\_  
 Quantity \_\_\_\_\_

## STANDARD FEATURES

- **ENERGY STAR® Qualified**
- Rinse Sentry feature – Ensures proper 180°F final rinse temperature
- Counter-balanced, double skin door
- Clog-resistant filtering system
- Stainless steel rinse-arms with removable end caps
- Pumped drain
- Liquid detergent and rinse-aid dispensing pumps
- Top, side and rear panels
- 2 kW tank heater
- Flexible fill and drain
- Pressure regulating valve
- Top mounted detergent and rinse-aid prime switches
- Low 0.85 US gal. water usage per rack
- Energy efficient - 30 Amp. breaker only for 40°F rise
- 120-second cycle time. 24 racks per hour capacity
- Complete with one peg and one flat bottom rack (20" x 20")

## OPTIONS & ACCESSORIES

- |   |             |
|---|-------------|
| <input type="checkbox"/> 70°F rise booster                            |             |
| <input type="checkbox"/> CST- Combination sink/table Machine on right | P/N 403561  |
| <input type="checkbox"/> CST- Combination sink/table Machine on left  | P/N 403562  |
| <input type="checkbox"/> Flat bottom dishrack                         | P/N 101273  |
| <input type="checkbox"/> Peg dishrack                                 | P/N 101285  |
| <input type="checkbox"/> 6" Stand                                     | P/N 0712393 |
| <input type="checkbox"/> 17RS – 17" Stand                             | P/N 0708757 |

**Moyer Diebel – USA**

3765 Champion Blvd., Winston-Salem, NC 27105 Tel: 336/661-1992 Fax: 336/661-1979 800/228-8350 www.moyerdiebel.com

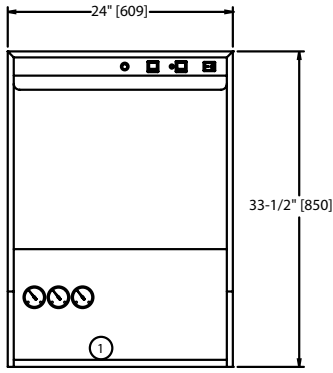


Simply Engineered Better

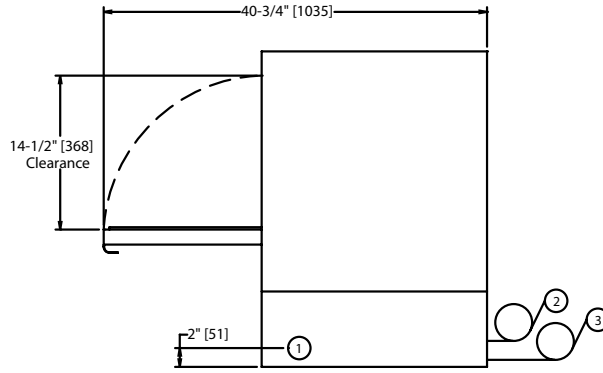
# 351HT

Undercounter High Temperature  
Overflow Type Dishwashing Machine  
with Built-in Booster Heater

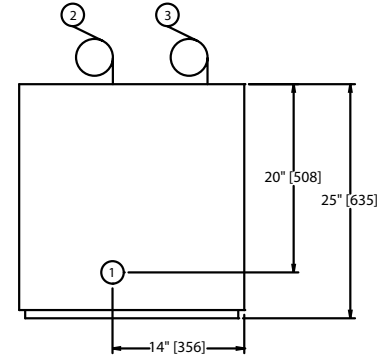
Dimensions shown in inches



Front View



Side View



Plan View

Utilities	
<b>1 Electrical</b>	208-240/60/1; 3 wire + ground; hard wiring required (see boxes below)
<b>2 Hot Water</b>	<b>140°F Min., connection for 40°F rise booster.</b> <b>110°F Min., connection for 70°F rise booster.</b> 5 ft. long 1/2" I.D. flexible fill hose with 3/4" FNPT connection. Flow pressure: 18-22 psi (124-152 kPa), PRV supplied
<b>3 Drain Connection</b>	6 ft. long, 3/4" I.D. flexible hose. Max. drain flow: 8 US gpm

## SPECIFICATIONS

<b>Capacity</b>	NSF Racks per hr.	24
<b>Motor Horsepower</b>	Wash	1
<b>Water Consumption</b>	Gal. per hr. (max. use)	
	US gal.	20.4
	Gal. per rack	
	US gal.	0.85

Temperatures °F		
Wash (minimum)		150
Rinse (minimum)		180

Heating		
Tank heat, electric (kW)		2
Electric booster		
(kW required for 40°F rise)		4
(kW required for 70°F rise)		6

Time Cycle in Seconds		
Wash		100
Rinse		15
Dwell		5
Total		120

**Warning:** Plumbing and electrical connections should be made by qualified personnel who will observe all the applicable plumbing, sanitary and safety codes.

351HT with 40°F Rise Electric Booster

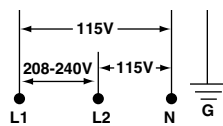
Elec. Specs	Rated Amps	Minimum Supply Circuit Ampacity	Maximum Overcurrent Protective Device
208/60/1	22	30	30
230/60/1	24	30	30

351HT with 70°F Rise Electric Booster

Elec. Specs	Rated Amps	Minimum Supply Circuit Ampacity	Maximum Overcurrent Protective Device
208/60/1	29	40	40
230/60/1	31	40	40

	Uncrated	Crated
<b>Height</b>	33-1/2"	39-1/2"
<b>Width</b>	24"	25"
<b>Depth</b>	25"	25-1/2"
<b>Ship Wt. lbs</b>	148	165

\* Front leveling feet provided.



**\*Note:** Electrical supply service must be a 3-wire plus ground for connection as shown.